

Advanced Transmitter

Differential Pressure Transmitters

Model GTX15D/GTX30D/GTX31D/GTX32D/
GTX40D/GTX41D/GTX42D/GTX71D/GTX72D

OVERVIEW

Advanced Transmitter is a microprocessor-based smart transmitter that features high performance and excellent stability. Capable of measuring gas, liquid, vapor, and liquid levels, it transmits 4 to 20 mA DC analog and digital signals according to the measured differential pressure.

It can also execute two-way communications between the communicator, thus facilitating selfdiagnosis, range resetting, and automatic zero/span adjustment.

SFN, HART and FOUNDATION Fieldbus are available.

* Refer to SS2-GTX00Z-0100 for FOUNDATION Fieldbus type for the items marked with [★].

FEATURES

High performance and stability

- Unique characterization and composite semiconductor sensors realize high accuracy up to 0.04 % F.S.
- Our proven sensor technology enables Longterm stability up to 0.1 % of URL per 10-year.

Wide measuring range (range ability)

- A wide measuring range is available from a single model. This feature is highly effective in taking measurement over a wide range and reducing the need for inventory.
- Model GTX30D/31D/32D: 0.5 to 100 kPa (range ability: 200 to 1)

A diverse lineup

- A wide range of models is available to meet user requirements. They include draft range differential pressure, standard differential pressure, high differential pressure, standard differential pressure/high static pressure, and high differential pressure/high static pressure models.
- A wide variety of corrosion-resistant materials for wetted parts is also available.



Remote communication

- Two-way communication using digital output facilitates self-diagnosis, range resetting, automatic zero adjustment, and other operations.
- HART protocol communication is available. (Option)

PRODUCT APPROVALS [★]**FM Explosionproof for Division System/
Flameproof for Zone System (Code F1)**

Explosionproof for Class I, Division 1, Groups A, B, C and D; Class I, Zone 1, AEx d IIC

Dust-Ignitionproof for Class II, III, Division 1, Groups E, F and G

T5 $-40\text{ °C} \leq T_{amb} \leq +85\text{ °C}$

Hazardous locations

Indoor/Outdoor Type 4X, IP67

Factory sealed, conduit seal not required for Division applications

Caution - Use supply wires suitable for 5 °C above surrounding ambient

FM Intrinsic Safety (Code F2)

IS/I, II, III/1/ABCDEFGH/T4; $-40\text{ °C} \leq T_{amb} \leq +60\text{ °C}$;
80395278, 80395279, 80395280; Entity; TYPE 4X; IP67

I/0/AEx ia/IIC/T4; $-40\text{ °C} \leq T_{amb} \leq +60\text{ °C}$; 80395278,
80395279, 80395280; Entity; TYPE 4X; IP67

Entity Parameters: V_{max} (U_i)=30 Volts,

I_{max} (I_i)=100 mA,

$P_i=1\text{ W}$, $C_i=10\text{ nF}$, $L_i=0.5\text{ mH}$

FM Nonincendive (Code F5)

NI/I/2/ABCD/T4; $-40\text{ °C} \leq T_{amb} \leq +60\text{ °C}$; 80395494; NIFW;
TYPE 4X; IP67

NI/I/2/IIC/T4; $-40\text{ °C} \leq T_{amb} \leq +60\text{ °C}$; 80395494; NIFW;
TYPE 4X; IP67

S/II, III/1/EFG/T4; $-40\text{ °C} \leq T_{amb} \leq +60\text{ °C}$;
80395494; NIFW; TYPE 4X; P67

Nonincendive Field Wiring Parameters:

V_{max} (U_i)=30 Volts, $C_i=10\text{ nF}$, $L_i=0.5\text{ mH}$

Combination of F1, F2 and F5 (Code F6)**ATEX Flameproof and Dust Certifications****(Code A1)**

II 1/2 G Ex db IIC T6 Ga/Gb $-30\text{ °C} \leq T_{amb} \leq +75\text{ °C}$ $T_{process} \leq 85\text{ °C}$

II 1/2 G Ex db IIC T5 Ga/Gb $-30\text{ °C} \leq T_{amb} \leq +80\text{ °C}$ $T_{process} \leq 100\text{ °C}$

II 1/2 G Ex db IIC T4 Ga/Gb $-30\text{ °C} \leq T_{amb} \leq +80\text{ °C}$ $T_{process} \leq 110\text{ °C}$

II 2 D Ex tb IIIC T85 °C Db $-30\text{ °C} \leq T_{amb} \leq +75\text{ °C}$ $T_{process} \leq 85\text{ °C}$

II 2 D Ex tb IIIC T100 °C Db $-30\text{ °C} \leq T_{amb} \leq +75\text{ °C}$ $T_{process} \leq 100\text{ °C}$

II 2 D Ex tb IIIC T110 °C Db $-30\text{ °C} \leq T_{amb} \leq +75\text{ °C}$ $T_{process} \leq 110\text{ °C}$

Caution - Use supply wires suitable for 5 °C above surrounding ambient

ATEX Intrinsic Safety and Dust Certifications**(Code A2)**

II 1 G Ex ia IIC T4 Ga $-30\text{ °C} \leq T_{amb} \leq +60\text{ °C}$ $T_{process} = 105\text{ °C}$
IP66/IP67

ELECTRICAL PARAMETERS: $U_i=30\text{ V}$, $I_i=93\text{ mA}$, $P_i=1\text{ W}$,
 $C_i=5\text{ nF}$, $L_i=0.5\text{ mH}$

II 1 D Ex ia IIIC T105 °C Da $-30\text{ °C} \leq T_{amb} \leq +60\text{ °C}$ $T_{process} = 105\text{ °C}$
IP66/IP67

II 3 G Ex ic IIC T4 Gc $-30\text{ °C} \leq T_{amb} \leq +60\text{ °C}$ $T_{process} = 110\text{ °C}$
IP66/IP67

ELECTRICAL PARAMETERS: $U_i=30\text{ V}$, $C_i=5\text{ nF}$, $L_i=0.5\text{ mH}$

NEPSI Flameproof and Dust Certifications**(Code N1)**

Ex d IIC T6 Gb; Ex tD A21 IP66/IP67 T85 °C $T_{process} = 80\text{ °C}$;
 $-30\text{ °C} \leq T_{amb} \leq +75\text{ °C}$

Ex d IIC T5 Gb; Ex tD A21 IP66/IP67 T100 °C $T_{process} = 95\text{ °C}$;
 $-30\text{ °C} \leq T_{amb} \leq +80\text{ °C}$

Ex d IIC T4 Gb; Ex tD A21 IP66/IP67 T115 °C $T_{process} = 110\text{ °C}$;
 $-30\text{ °C} \leq T_{amb} \leq +80\text{ °C}$

NEPSI Intrinsic Safety Certification (Code N2)

Ex ia IIC T4 Ga $-40\text{ °C} \leq T_{amb} \leq +60\text{ °C}$ $T_{process} = 105\text{ °C}$ IP66/IP67

Ex ic IIC T4 Gc $-40\text{ °C} \leq T_{amb} \leq +60\text{ °C}$ $T_{process} = 110\text{ °C}$ IP66/IP67

ELECTRICAL PARAMETERS: $U_i=30\text{ V}$, $I_i=100\text{ mA}$, $P_i=1\text{ W}$,
 $C_i=13\text{ nF}$, $L_i=0.5\text{ mH}$

Use cable suitable for 5 °C above ambient temperature

**IECEx Flameproof and Dust
Certifications (Code E1)**

Certificate No. IECEx KEM 08.0001 X

Ex db IIC T6 Ga/Gb $-30\text{ °C} \leq T_{amb} \leq +75\text{ °C}$ $T_{process} \leq 85\text{ °C}$

Ex db IIC T5 Ga/Gb $-30\text{ °C} \leq T_{amb} \leq +80\text{ °C}$ $T_{process} \leq 100\text{ °C}$

Ex db IIC T4 Ga/Gb $-30\text{ °C} \leq T_{amb} \leq +80\text{ °C}$ $T_{process} \leq 110\text{ °C}$

Ex tb IIIC T85 °C Db $-30\text{ °C} \leq T_{amb} \leq +75\text{ °C}$ $T_{process} \leq 85\text{ °C}$

Ex tb IIIC T100 °C Db $-30\text{ °C} \leq T_{amb} \leq +75\text{ °C}$ $T_{process} \leq 100\text{ °C}$

Ex tb IIIC T110 °C Db $-30\text{ °C} \leq T_{amb} \leq +75\text{ °C}$ $T_{process} \leq 110\text{ °C}$

Caution - Use supply wires suitable for 5 °C above surrounding ambient

**IECEx Intrinsic Safety and Dust
Certifications (Code E2)**

Certificate No. IECEx KEM 07.0058 X

Ex ia IIC T4 Ga $-30\text{ °C} \leq T_{amb} \leq +60\text{ °C}$ $T_{process} = 105\text{ °C}$ IP66/IP67

ELECTRICAL PARAMETERS: $U_i=30\text{ V}$, $I_i=93\text{ mA}$, $P_i=1\text{ W}$,
 $C_i=5\text{ nF}$, $L_i=0.5\text{ mH}$

Ex ia IIIC T105 °C Da $-30\text{ °C} \leq T_{amb} \leq +60\text{ °C}$ $T_{process} = 105\text{ °C}$
IP66/IP67

Ex ic IIC T4 Gc $-30\text{ °C} \leq T_{amb} \leq +60\text{ °C}$ $T_{process} = 110\text{ °C}$ IP66/
IP67

ELECTRICAL PARAMETERS: $U_i=30\text{ V}$, $C_i=5\text{ nF}$, $L_i=0.5\text{ mH}$

KCs Flameproof (Code K1)**11-AV4BO-0323** (without option YD)**20-AV4BO-0357X** (with option YD)Ex d IIC T6 -30 °C ≤ T_{amb} ≤ +75 °C T_{process} = 85 °CEx d IIC T5 -30 °C ≤ T_{amb} ≤ +80 °C T_{process} = 100 °CEx d IIC T4 -30 °C ≤ T_{amb} ≤ +80 °C T_{process} = 110 °C**18-AV4BO-0254X** (without option YD)**20-AV4BO-0489X** (with option YD)Ex tD A21 T85 °C -30 °C ≤ T_{amb} ≤ +75 °C -30 °C ≤ T_{process} ≤ 85 °CEx tD A21 T100 °C -30 °C ≤ T_{amb} ≤ +75 °C -30 °C ≤ T_{process} ≤ 100 °CEx tD A21 T110 °C -30 °C ≤ T_{amb} ≤ +75 °C -30 °C ≤ T_{process} ≤ 110 °C**TIIS Flameproof (Code J1)**

Ex d IIC T4

Use cables with the maximum allowable temperature, 70° C in case ambient temperature excess 50° C

TAIWAN Flameproof (Code T1)

Certificate No.(2015)00113

Ex db IIC T6 Gb X -30° C ≤ T_{amb} ≤ +75° C T_{process} ≤ 85 °CEx db IIC T5 Gb X -30° C ≤ T_{amb} ≤ +80° C T_{process} ≤ 100 °CEx db IIC T4 Gb X -30° C ≤ T_{amb} ≤ +80° C T_{process} ≤ 110 °C

Caution - Use supply wires suitable for 5 °C above surrounding ambient

Please refer to specification, "SS2-GTX00Z-0100" for the Fieldbus code below.

FM Intrinsic safety ia/ic FISCO and Fieldbus(Code F4)**FM Fieldbus Nonincendive(Code F7)****ATEX Intrinsic safety ia FISCO and Fieldbus(Code A4)****ATEX Intrinsic safety ic FISCO and Fieldbus(Code A7)****IECEX Intrinsic safety ia FISCO and Fieldbus(Code E4)****IECEX Intrinsic safety ic FISCO and Fieldbus(Code E7)****EMC Conformity [☆]**

EN 61326-1 (industrial electromagnetic environment)

EN 61326-2-3

PED Conformity (97/23EC)

The maximum pressures applicable under the Sound Engineering Practice (SEP) section of the Pressure Equipment Directive depend on the type of fluid measured, as shown in the table below.

Measured fluid	Group*	Pressure	Applicable models
Gas	1	200 bar (20 MPa)	All models except GTX32D, 42D, 72D, 82G
	2	1,000 bar (100 MPa)	All models
Liquid	1	500 bar (50 MPa)	All models
	2	1,000 bar (100 MPa)	All models

Note) Group 1 comprises fluids defines as: explosive, extremely flammable, highly flammable, flammable, very toxic, toxic and oxidizing.

Group 2 comprises all other fluids not refer to group 1

Any model having a maximum working pressure that is higher than the pressure corresponding to its group does not conform to SEP.

Models GTX32D, 42D, 72D conform to PED according to Module A.

FUNCTIONAL SPECIFICATIONS

Type of protection

NEMA 3 and 4X
IEC IP66/67

Measuring span/Setting range

Model	Measuring Span	Setting Range
GTX15D	0.1 to 2 kPa {0.4 to 8 inH ₂ O} {10 to 200 mmH ₂ O}	-1 to +1 kPa {-4 to +4 inH ₂ O} {-100 to +100 mmH ₂ O}
GTX30D	0.5 to 100 kPa {2 to 400 inH ₂ O} {50 to 10160 mmH ₂ O}	-100 to +100 kPa {-400 to +400 inH ₂ O} {-10160 to +10160 mmH ₂ O}
GTX31D	0.5 to 100 kPa {2 to 400 inH ₂ O} {50 to 10160 mmH ₂ O}	-100 to +100 kPa {-400 to +400 inH ₂ O} {-10160 to +10160 mmH ₂ O}
GTX32D	0.5 to 100 kPa {2 to 400 inH ₂ O} {50 to 10160 mmH ₂ O}	-100 to +100 kPa {-400 to +400 inH ₂ O} {-10160 to +10160 mmH ₂ O}
GTX40D	35 to 700 kPa {5.1 to 101psi} {0.35 to 7 kgf/cm ² }	-100 to +700 kPa {-14.5 to 101 psi} {-1 to +7 kgf/cm ² }
GTX41D	35 to 700 kPa {5.1 to 101psi} {0.35 to 7 kgf/cm ² }	-100 to +700 kPa {-14.5 to 101 psi} {-1 to +7 kgf/cm ² }
GTX42D	35 to 700 kPa {5.1 to 101psi} {0.35 to 7 kgf/cm ² }	-100 to +700 kPa {-14.5 to 101 psi} {-1 to +7 kgf/cm ² }
GTX71D	0.25 to 14 MPa {36.3 to 2,030 psi} {2.5 to 140kgf/cm ² }	-0.1 to +14 MPa {-14.5 to 2,030 psi} {-1 to +140 kgf/cm ² }
GTX72D	0.25 to 14 MPa {36.3 to 2,030 psi} {2.5 to 140 kgf/cm ² }	-0.1 to +14 MPa {-14.5 to 2,030 psi} {-1 to +140 kgf/cm ² }

Working pressure range

Model	Working pressure range
GTX15D	-70 to +210 kPa {-10.1 to 30.4 psi} {-0.7 to +2.1 kgf/cm ² }
GTX30D	2.0 kPa abs to 3.5 MPa {0.29 psia to 508 psi} {15 mmHg abs to 35 kgf/cm ² } ^{*1}
GTX31D	2.0 kPa abs to 21 MPa {0.29 psia to 3,045 psi} {15 mmHg abs to 210 kgf/cm ² } ^{*1 *2 *5} (For vacuum pressure, see Figure 1, 2)
GTX32D	2.0 kPa abs to 42 MPa {0.29 psia to 6,091 psi} {15 mmHg abs to 420 kgf/cm ² } ^{*3} (For vacuum pressure, see Figure 1, 2)
GTX40D	2.0 kPa abs to 3.5 MPa {0.29 psia to 508 psi} {15 mmHg abs to 35 kgf/cm ² } ^{*1}
GTX41D	2.0 kPa abs to 21 MPa {0.29 psia to 3,045 psi} {15 mmHg abs to 210 kgf/cm ² } ^{*1 *2 *5} (For vacuum pressure, see Figure 1, 2)
GTX42D	2.0 kPa abs to 42 MPa {0.29 psia to 6,091 psi} {15 mmHg abs to 420 kgf/cm ² } ^{*3} (For vacuum pressure, see Figure 1, 2)
GTX71D	2.0 kPa abs to 20 MPa {0.29 psia to 3045 psi} {15 mmHg abs to 210 kgf/cm ² } ^{*1 *2 *5} (For vacuum pressure, see Figure 1, 2)
GTX72D	2.0 kPa abs to 42 MPa {0.29 psia to 6,091 psi} {15 mmHg abs to 420 kgf/cm ² } ^{*3} (For vacuum pressure, see Figure 1, 2)

Note) *1. With PVC wetted parts, the maximum working pressure is 1.5 MPa {218 psi}.

*2 With 304 SST or 316SST bolts and nuts, the maximum working pressure is 10 MPa {1450 psi}.

*3 With 304 SST or 316SST bolts and nuts, the maximum working pressure is 20 MPa {2900 psi} for process connection code P,R,T and W.
For process connection code S and Y, the maximum working pressure is 23 MPa {3336psi}.

*4 The GTX15D is a highly sensitive instrument. During installation, take care regarding the mounting orientation and installation place so that the GTX15D is not directly exposed to radiant heat or wind.

*5 If S1 or T3 is selected as a model number option, the design pressure for the strength calculation sheet is 14 Mpa max.

*6 For vacuum pressure, see Figure 1, 2.

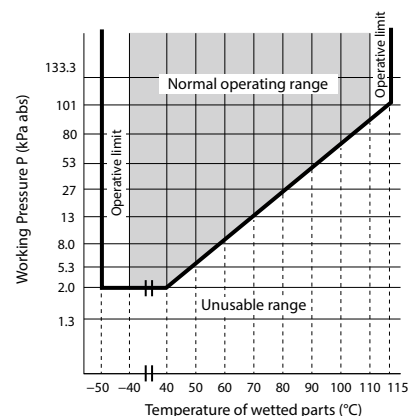


Figure 1. Working pressure and temperature of wetted parts section (for code A of Fill fluid)

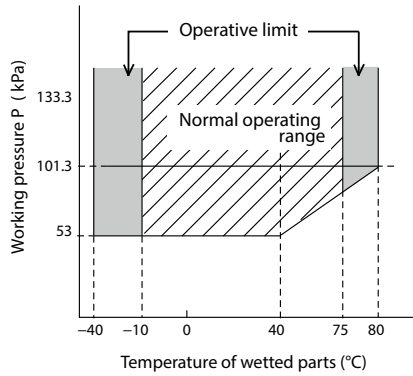


Figure 2. Working pressure and temperature of wetted parts section (for code J and H of Fill fluid)

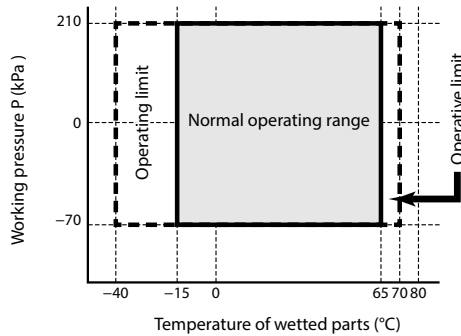


Figure 3. Working pressure and temperature of wetted parts section (for model GTX15D, code A of Fill fluid)

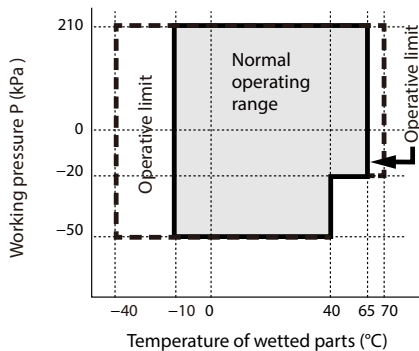


Figure 4. Working pressure and temperature of wetted parts section (for model GTX15D, code J of Fill fluid)

Power Supply [★]

12.5 to 42 V DC

Limited to 12.5 to 30 V DC for intrinsic safety, Nonincendive types

Power Supply voltage and load resistance characteristics [★]

See Figure 5.

Limited to Load resistance: 250 to 1345 Ω for SFN or DE communication. 250 to 600 Ω for HART communication.

Power supply voltage: 12.5 to 30 V DC for intrinsic safety, Nonincendive types

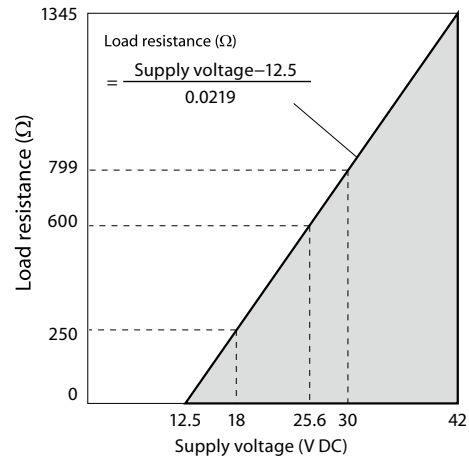


Figure 5. Power supply voltage vs. Load resistance

Note) For communication with a communicator, a load resistance of 250 Ω or more is necessary.

Output [★]

- Analog output (4 to 20 mA DC) with SFN
- Analog output (4 to 20 mA DC) with HART
- Digital output (DE protocol)

Output signal [★]

- 3.6 to 21.6 mA
- 3.8 to 20.5 mA (NAMUR NE43 compliant)

Failure Alarm [★]

- Upper: 21.6 mA or more
- Lower: 3.6 mA or less

Ambient temperature limit

Unit: °C

		Ambient temperature limit (Operative limits)(*2)	Temperature ranges of wetted parts (Operative limits)	Transportation and storage conditions (Operative limits) (*2)
GTX15D	for code A of Fill fluid	-15 to +65 (-40 to +70)	-15 to +65 (-40 to +70)	-15 to +65
	for code J and H of Fill fluid	-10 to +75 (-40 to +80)	-10 to +65 (-40 to +70)	-50 to +85
GTX30D, GTX40D, GTX31D, GTX41D, GTX71D	for code A of Fill fluid	-40 to +85 (-50 to 93)	-40 to +110 (-50 to +115)	-50 to +85
	for code J and H of Fill fluid	-10 to +75 (-40 to +80)	-10 to +75 (-40 to +80)	-50 to +85
	PVC meterbody covers (*1)	0 to 55 (-10 to +60)	0 to 55 (-0 to +60)	-10 to +60
GTX32D, GTX42D, GTX72D	for code A of Fill fluid	-15 to +85 (-20 to +93)	-15 to +110 (-20 to +115)	-15 to +85
	for code J and H of Fill fluid	-10 to +75 (-40 to +80)	-10 to +75 (-40 to +80)	-50 to +85
All models	With digital indicators(*2)	-25 to +80 (-30 to +85)		-25 to +80
For explosion-proof type	Refer to the page on PRODUCT APPROVALS.			

Unit: °F

		Ambient temperature limit (Operative limits)(*2)	Temperature ranges of wetted parts (Operative limits)	Transportation and storage conditions (Operative limits) (*2)
GTX15D	for code A of Fill fluid	5 to 149 (-40 to +158)	5 to 149 (-40 to +158)	5 to 185
	for code J and H of Fill fluid	14 to 167 (-40 to +176)	14 to 149 (-40 to +158)	-58 to +185
GTX30D, GTX40D, GTX31D, GTX41D, GTX71D	for code A of Fill fluid	-40 to 185 (-58 to +199)	-40 to 230 (-58 to +239)	-58 to +185
	for code J and H of Fill fluid	14 to 167 (-40 to +176)	14 to 167 (-40 to +176)	-58 to +185
	PVC meterbody covers (*1)	32 to 131 (14 to +140)	32 to 131 (14 to +140)	14 to 140
GTX32D, GTX42D, GTX72D	for code A of Fill fluid	5 to 185 (-13 to +199)	5 to 230 (-13 to +239)	5 to 185
	for code J and H of Fill fluid	14 to 167 (-40 to +176)	14 to 167 (-40 to +176)	-58 to +185
All models	With digital indicators(*2)	-13 to +176 (-22 to +185)		-13 to +176
For explosion-proof type	Refer to the page on PRODUCT APPROVALS.			

*1. Applicable combinations with models GTX31D, 41D, 71D.

*2. For models with an indicator, compare the upper and lower limit temperatures with those of models without an indicator, and apply the lower value for the upper limit and the higher value for the lower limit.

Ambient humidity limits

5 to 100 % RH

Stability against supply voltage change

±0.005 % FS/V

Response time [★]

Below 100 msec. (model GTX30D/31D, when damping time is set to 0 sec.)

Below 150 msec. (other models, when damping time is set to 0 sec.)

Damping time [★]

Selectable from 0 to 128 sec. (HART)

Selectable from 0 to 32 sec. in ten stages (SFN)

Zero Stability

±0.1 % of URL per 10 year (GTX30D/31D/32D/40D/41D/42D)

±0.2 % of URL per 10 year (GTX71D/72D)

±1.0 % of URL per 10 year (GTX15D)

Lightning protection [★]

Applicable Standards; IEC 61000-4-5

Peak value of current surge (80/20 μ sec.): 6000 A

Vibration characteristics

Amplitude: 0.42 mm / Frequency: 5 to 60 Hz

Acceleration: 29.4 m/s² (3G)/60 to 200 Hz

Shock characteristics

Acceleration 9.8 m/s² (1G)

Indicator

The digital LCD indicator (optional) shows the output in percentage or in engineering units. Range for engineering unit is from -99999 to 99999 when set at the factory, and from -19999 to 19999 when using the communicator.

Specify the following items when placing order with engineering units,

- Pressure range
- Engineering unit of pressure
- Method of display, either linear or square-root.
These data may be set or changed using the communicator.

OPTIONAL SPECIFICATIONS**Oil free finish**

The transmitter is shipped with oil-free wetted parts.

Adapters for anticorrosion materials

These are adaptor flanges to connect 82 mm pipes made of anticorrosion materials [excluding ASTM B575 (Equivalent to Hastelloy C-276)] to 54 mm general-purpose pipes.

External zero/span adjustment function

The transmitter can be easily adjusted to zero or span in the field.

Indicator must be selected to enable this option.

Fieldbus type does not have span adjustment.

Elbow

This is an adaptor for changing the electrical conduit connection port from the horizontal to the vertical direction, if required by wiring conditions in the field. One or two elbows may be used as needed.

Conformance to Non SI units

We deliver transmitters set to any Non SI units as specified.

Safety Transmitter

Select this option to be used as a component of Safety Instrument System (SIS).

Models GTX___ is complied with IEC 61508, certified according to Safety Integrity Level 2 (SIL-2).

This option is not applicable for FOUNDATION Fieldbus type, DE communication type, external zero/span adjustment (option A2), and Alarm output (option Q7).

Alarm Output (contact output)

Contact output is prepared as alarm output when alarm (Output Alarm/Sensor Temp. Alarm) condition is detected. It can be set to or Normally Close.

Contact output type : One open collector (NPN)

Contact rating: 30 V DC max., 30 mA DC max.

Residual voltage at output ON: 3.0 V max.

Operating mode: Normally Open (default)

Normally Close is not recommended.

When this option is selected, CHECK terminals for current check cannot be used.

This option is not applicable for FOUNDATION Fieldbus type, and with intrinsic safety, Nonincendive types.

Advanced diagnostics [★]

This option is applicable for FOUNDATION Fieldbus type. Refer to SS2-GTX00Z-0100.

Custom calibration

Calibrate for the specified pressure range at the factory.

Long vent drain:

Maintenance, process conditions, and safety are addressed by using a drain whose length (60 mm) is longer than the standard length (27 mm).

Moisture-free finish (including oil-free finish):

Shipped with water content and oil content removed from the wetted part. (A small amount of fluorine oil is applied to vent/drain plugs in order to prevent sticking.)

Test report:

Shows the results of having tested the appearance, input output characteristics, insulation resistance, dielectric strength, etc., of the transmitter.

Mill sheet:

Shows data related to the chemical composition, heat treatment condition, and mechanical properties of the wetted part material.

Test report (with traceability certificate):

Comprised of three documents: a traceability diagram, a calibration certificate, and a test report.

Withstand pressure and air tight test (general-purpose use):

Shows the results of the wetted part withstand pressure test (10 minutes) and air tight test (10 minutes).

Strength calculation sheet:

Shows the results of having calculated the strength of the meter body cover, flanges, and bolts.

PHYSICAL SPECIFICATIONS**Materials****Fill fluid**

Silicone oil for Regular type
Fluorine oil for oxygen and chlorine service

Center body

316 SST

Transmitter case

Aluminum alloy, CF8M (Equivalent to 316 SST)

Meter body cover flange

SCS14A (Equivalent to 316 SST) or 316 SST, PVC

Bolts and nuts (for fastening meter body cover)

Carbon steel (SNB7), 304 SST, 316 SST, 630 SST

O-ring

NBR

For Wetted parts**Adapter flange (option)**

SCS14A (Equivalent to 316 SST), PVC

Center body

316 SST (Diaphragm 316L SST)
ASTM B575 (Equivalent to Hastelloy C-276), Tantalum, 316L SST

Vents and plugs

316 SST, PVC

Gaskets

PTFE

Mounting Bracket**Bracket**

304 SST

U-bolt and nuts

304 SST

Paint

Standard: Baked acrylic paint
Corrosion-proof: Baked urethane paint

Color

Housing: Silver N-8.2

Cap: azbil bordeaux 2.5R 2.25/5

Weight

Approx. 3.4 kg (model GTX30D/40D)
Approx. 3.7 kg (model GTX31D/41D/71D)
Approx. 6.3 kg (model GTX32D/42D/72D)

INSTALLATION

Electrical connection

G 1/2 internal thread,
1/2 NPT internal thread, M20 internal thread.

Grounding

Resistance 100 Ω max.

Mounting

Can be installed on a 2-inch horizontal or vertical pipe (can be directly mounted on a process pipe)

Process connection

Rc 1/2, 1/2 NPT internal thread and Rc 1/4, 1/4 NPT internal thread.

TRANSMITTER HANDLING NOTES

To get the most from the performance this transmitter can offer, please use it properly noting the points mentioned below. Before using it, please read the Instruction Manual.

Transmitter installation notes

WARNING

- When installing the transmitter, ensure that gaskets do not protrude from connecting points into the process (such as adapter flange connection points and connecting pipes and flanges). Failure to do so may cause a leak of process fluid, resulting in harm from burns, etc. In addition, if the process fluid contains toxic substances, take safety measures such as wearing goggles and a mask to prevent contact with the skin and eyes and to prevent inhalation.
- Use the transmitter within the operating ranges stated in the specifications (for explosion-proofing, pressure rating, temperature, humidity, voltage, vibration, shock, mounting direction, atmosphere, etc.). Using the transmitter outside the operating conditions may cause device failure or fire, resulting in a harmful physical risk of burning or the like.
- When performing wiring work in explosion-proof areas, follow the work method specified in the explosion-proof guidelines.

CAUTION

- After installation, do not use the transmitter as a foothold or put your weight on it. Doing so may cause damage.
- Be careful not to hit the glass indicator with tools etc. This could break the glass and cause injury.
- The transmitter is heavy. Wear safety shoes and take care when installing it.
- Impact to transmitter can damage sensor module.

Wiring notes

WARNING

- To avoid shocks, do not perform electrical wiring work with wet hands or with live wires.

CAUTION

- Do wiring work properly in conformance with the specifications. Wiring mistakes may result in malfunction or irreparable damage to the instrument.
- Use a power supply that conforms to the specifications. Use of an improper power supply may result in malfunction or irreparable damage to the instrument.
- Use a power supply with overcurrent protection for this instrument.

Handling precautions for HART specification devices

- If you need to operate with a secondary host (HART communicator, etc.), set the communication interval of the primary host (DCS, device management system) to 8 seconds or more, or suspend communication from the primary host. If the primary host repeats HART communication within 8 seconds, the request from the secondary host may not be received (communication may not be possible).
- If electrical noise in the environment prevents HART communications with the host, take countermeasures such as separating the signal cables from the source of the noise, improving the grounding, changing to shielded signal cables, etc. Even if noise interferes with HART communications, the 4–20 mA analog signal will be unaffected and can be used for control.
- If this product is being operated in multidrop mode, there is a limit to the number of devices that can be used. If you are using multidrop mode, please consult with us.

PERFORMANCE SPECIFICATIONS

Reference accuracy

Shown for each item are the percentage ratio for x (kPa), which is the greatest value of either the upper range value (URV)^{*1}, the lower range value (LRV)^{*2} or the span.

For FOUNDATION Fieldbus type, read URV as XD_SCALE “EU_100” and LRV as XD_SCALE “EU_0”.

Model GTX15D

Material of wetted parts: Diaphragm; 316L SST, Others; 316 SST

Reference accuracy ^{*4}	Linear output:	$\pm \left(0.15 + 0.15 \times \frac{1.0}{x} \right) \%$
	Square-root output:	When output is 50 to 100 %: same as linear output When output is 7.1 to 50 %: linear output $\times \frac{50}{\text{square} - \text{root} \cdot \text{output}} \%$ When output is less than 7.1 %: dropout
Ambient Temperature effect (Shift from the set range) Change of 30 °C (Range from -5 to +55 °C)	Combined shift: (including zero and span shifts)	$\pm \left(0.19 + 0.56 \times \frac{1.0}{x} \right) \%$
Static pressure effect (Shift with respect to Setting range) Change of 70 kPa {10.1 psi}	Zero shift:	$\pm \left(0.03 + 0.4 \times \frac{1}{x} \right) \%$
	Combined shift: (including zero and span shifts)	$\pm \left(0.03 + 0.45 \times \frac{1}{x} \right) \%$

Model GTX30D/31D (for regular type)

Material of wetted parts: Diaphragm; 316L SST, Others; 316 SST

Reference accuracy ^{*3 *4 *5 *6}	Linear output:	$\pm 0.04 \%$ (For $x \geq 10.0$ kPa {40 inH ₂ O}) $\pm \left(0.008 + 0.032 \times \frac{10}{x} \right) \%$ (For $x < 10$ kPa {40 inH ₂ O})
	Square-root output:	When output is 50 to 100 %: same as linear output When output is 7.1 to 50 %: linear output $\times \frac{50}{\text{square} - \text{root} \cdot \text{output}} \%$ When output is less than 7.1 %: dropout
Ambient Temperature effect (Shift from the set range) ^{*3} Change of 30 °C (Range from -5 to +55 °C)	Combined shift: (including zero and span shifts)	$\pm 0.15 \%$ (For $x \geq 12.5$ kPa {50 inH ₂ O}) $\pm \left(0.075 + 0.075 \times \frac{12.5}{x} \right) \%$ (For $x \leq 12.5$ kPa {50 inH ₂ O})
Static pressure effect (Shift with respect to Setting range) ^{*3} Change of 7 MPa {1,015 psi}	Zero shift:	$\pm \left(0.03 + 0.17 \times \frac{A}{x} \right) \%$ A = 12.5 (GTX30D/31D) 20 (GTX32D)
	Combined shift: (including zero and span shifts)	$\pm \left(0.03 + 0.37 \times \frac{A}{x} \right) \%$

*1. URV denotes the process value for 100 % (20 mA DC) output.

*2. LRV denotes the process value for 0 % (4 mA DC) output.

*3. Within a range of $URV \geq 0$ and $LRV \geq 0$.

*4. Reference accuracy at calibrated condition.

*5. In case code D “Digital output (DE communication)” is selected, reference accuracy becomes the same as one of “for oxygen/chlorine service”.

*6. In case code “YB” or “YD” of Option selected, Linear output is $\pm 0.05\%$ (For $x \geq 10.0$ kPa {40 inH₂O}).

Model GTX30D/31D (for oxygen/chlorine service)

Material of wetted parts: Diaphragm; 316L SST, Others; 316 SST

Reference accuracy *3 *4	Linear output:	$\pm 0.075\%$ (For $x \geq 50.0$ kPa {200 inH ₂ O}) $\pm 0.1\%$ (For 50.0 kPa {200 inH ₂ O} $> x \geq 5.0$ kPa {20 inH ₂ O}) $\pm \left(0.025 + 0.075 \times \frac{5.0}{x} \right) \%$ (For $x \geq 5.0$ kPa {20 inH ₂ O})
	Square-root output:	When output is 50 to 100 %: same as linear output When output is 7.1 to 50 %: linear output $\times \frac{50}{\text{square-root} \cdot \text{output}} \%$ When output is less than 7.1 %: dropout
Ambient Temperature effect (Shift from the set range) Change of 30 °C *3 (Range from -5 to +55 °C)	Combined shift: (including zero and span shifts)	$\pm 0.44\%$ (For $x \geq 12.5$ kPa {50 inH ₂ O}) $\pm \left(0.19 + 0.25 \times \frac{12.5}{x} \right) \%$ (For $x \leq 12.5$ kPa {50 inH ₂ O})
Static pressure effect (Shift with respect to Setting range) *3 Change of 7 MPa {1,015 psi}	Zero shift:	$\pm \left(0.03 + 0.17 \times \frac{20}{x} \right) \%$
	Combined shift: (including zero and span shifts)	$\pm 0.4\%$ (For $x \geq 20.0$ kPa {80 inH ₂ O}) $\pm \left(0.03 + 0.37 \times \frac{20}{x} \right) \%$ (For $x < 20.0$ kPa {80 inH ₂ O})

Model GTX30D/31D

Material of wetted parts: Diaphragm; ASTM B575 (Equivalent to Hastelloy C-276), Tantalum, 316L SST Others; ASTM B575 (Equivalent to Hastelloy C-276), Tantalum, 316L SST

Reference accuracy *3 *4	Linear output:	$\pm 0.2\%$ (For $x \geq 10$ kPa {40 inH ₂ O}) $\pm \left(0.125 + 0.075 \times \frac{10}{x} \right) \%$ (For $x \geq 10$ kPa {40 inH ₂ O})
	Square-root output:	When output is 50 to 100 %: same as linear output When output is 7.1 to 50 %: linear output $\times \frac{50}{\text{square-root} \cdot \text{output}} \%$ When output is less than 7.1 %: dropout
Ambient Temperature effect (Shift from the set range) Change of 30 °C *3 (Range from -5 to +55 °C)	Combined shift: (including zero and span shifts)	$\pm \left(0.55 + 0.65 \times \frac{20.0}{x} \right) \%$
Static pressure effect (Shift with respect to Setting range) *3 Change of 7 MPa {1,015 psi}	Zero shift:	$\pm \left(0.03 + 0.62 \times \frac{20.0}{x} \right) \%$
	Combined shift: (including zero and span shifts)	$\pm \left(0.55 + 0.45 \times \frac{20.0}{x} \right) \%$ ($x \geq 20.0$ kPa {80 inH ₂ O}) $\pm \left(0.18 + 0.82 \times \frac{20.0}{x} \right) \%$ ($x < 20.0$ kPa {80 inH ₂ O})

*3. Within a range of $URV \geq 0$ and $LRV \geq 0$.

*4. Reference accuracy at calibrated condition.

*5. In case code D "Digital output (DE communication)" is selected, reference accuracy becomes the same as one of "for oxygen/chlorine service".

Model GTX32D

Material of wetted parts: Diaphragm; 316L SST, Others; 316 SST

Reference accuracy *4	Linear output:	$\pm 0.075\%$ (For $x \geq 50.0$ kPa {200 inH ₂ O}) $\pm 0.1\%$ (For 50.0 kPa {5000 mmH ₂ O} > $x \geq 5.0$ kPa {200 inH ₂ O}) $\pm (0.025 + 0.075 \times \frac{5.0}{x})\%$ (For $x < 5.0$ kPa {20 inH ₂ O})
	Square-root output:	When output is 50 to 100 %: same as linear output When output is 7.1 to 50 %: linear output $\times \frac{50}{\text{square-root} \cdot \text{output}}\%$ When output is less than 7.1 %: dropout
Ambient Temperature effect (Shift from the set range) Change of 30 °C *3	Combined shift: (including zero and span shifts)	$\pm 0.41\%$ (For $x \geq 12.5$ kPa {50 inH ₂ O}) $\pm (0.18 + 0.23 \times \frac{12.5}{x})\%$ (For $x \leq 12.5$ kPa {50 inH ₂ O})
Static pressure effect (Shift with respect to Setting range) *3 Change of 7 MPa {1,015 psi}	Zero shift:	$\pm (0.03 + 0.17 \times \frac{20}{x})\%$
	Combined shift: (including zero and span shifts)	$\pm 0.4\%$ (For $x \geq 20.0$ kPa {50 inH ₂ O}) $\pm (0.03 + 0.37 \times \frac{20}{x})\%$ (For $x < 20.0$ kPa {80 inH ₂ O})

Model GTX40D/41D/42D

Material of wetted parts: Diaphragm; 316L SST, Others; 316 SST

Reference accuracy *3 *4	Linear output:	$\pm 0.1\%$ (For $x \geq 140$ kPa {20 psi}) $\pm (0.025 + 0.075 \times \frac{140}{x})\%$ (For $x < 140$ kPa {20 psi})
	Square-root output:	When output is 50 to 100 %: same as linear output When output is 7.1 to 50 %: linear output $\times \frac{50}{\text{square-root} \cdot \text{output}}\%$ When output is less than 7.1 %: dropout
Ambient Temperature effect (Shift from the set range) Change of 30 °C *3 (Range from -5 to +55 °C)	Combined shift: (including zero and span shifts)	$\pm 0.41\%$ (For $x \geq 210$ kPa {30 psi}) $\pm (0.18 + 0.23 \times \frac{210}{x})\%$ (For $x < 210$ kPa {30 psi})
Static pressure effect (Shift with respect to Setting range) *3 Change of 7 MPa {1,015 psi}	Zero shift:	$\pm (0.03 + 0.17 \times \frac{700}{x})\%$
	Combined shift: (including zero and span shifts)	$\pm 0.33\%$ (For $x \geq 700$ kPa {102 psi}) $\pm (0.03 + 0.37 \times \frac{700}{x})\%$ (For $x < 700$ kPa {102 psi})

Model GTX40D/41D

Material of wetted parts: Diaphragm; ASTM B575 (Equivalent to Hastelloy C-276), Tantalum, 316L SST Others; ASTM B575 (Equivalent to Hastelloy C-276), Tantalum, 316L SST

Reference accuracy *3 *4	Linear output:	$\pm 0.2\%$ ($x \geq 140$ kPa {20 psi}) $\pm (0.125 + 0.075 \times \frac{140}{x})\%$ (For $x < 140$ kPa {20 psi})
	Square-root output:	When output is 50 to 100 %: same as linear output When output is 7.1 to 50 %: linear output $\times \frac{50}{\text{square-root} \cdot \text{output}}\%$ When output is less than 7.1 %: dropout
Ambient Temperature effect (Shift from the set range) Change of 30 °C *3 (Range from -5 to +55 °C)	Combined shift: (including zero and span shifts)	$\pm 1.20\%$ ($x \geq 210$ kPa {30 psi}) $\pm (0.55 + 0.65 \times \frac{210}{x})\%$ (For $x < 210$ kPa {30 psi})
Static pressure effect (Shift with respect to Setting range) *3 Change of 7 MPa {1,015 psi}	Zero shift:	$\pm (0.03 + 0.295 \times \frac{700}{x})\%$
	Combined shift: (including zero and span shifts)	$\pm (0.08 + 0.495 \times \frac{700}{x})\%$

*3. Within a range of URV ≥ 0 and LRV ≥ 0.

*4. Reference accuracy at calibrated condition.

Model GTX71D/72D

Material of wetted parts: Diaphragm; 316L SST, Others; 316 SST

Reference accuracy *3 *4	Linear output:	$\pm 0.15\%$ (For $x \geq 3.5$ MPa {508 psi}) $\pm (0.1 + 0.05 \times \frac{3.5}{x})\%$ (For $x < 3.5$ MPa {508 psi})
	Square-root output:	When output is 50 to 100 %: same as linear output When output is 7.1 to 50 %: linear output $\times \frac{50}{\text{square-root} \cdot \text{output}}\%$ When output is less than 7.1 %: dropout
Ambient Temperature effect (Shift from the set range) Change of 30 °C *3 (Range from -5 to +55 °C)	Combined shift: (including zero and span shifts)	$\pm 0.41\%$ (For $x \geq 3.5$ MPa {508 psi}) $\pm (0.18 + 0.23 \times \frac{3.5}{x})\%$ ($x < 3.5$ MPa {508 psi})
Static pressure effect (Shift with respect to Setting range) *3 Change of 7 MPa {1,015 psi}	Zero shift:	$\pm (0.03 + 0.17 \times \frac{7}{x})\%$
	Combined shift: (including zero and span shifts)	$\pm 0.4\%$ (For $x \geq 7$ MPa {1,015 psi}) $\pm (0.03 + 0.37 \times \frac{7}{x})\%$ (For $x < 7$ MPa {1,015 psi})

Model GTX71D/72D

Material of wetted parts: Diaphragm; 316L SST, Others; 316L SST

Reference accuracy *3 *4	Linear output:	$\pm 0.2\%$ (For $x \geq 3.5$ MPa {508 psi}) $\pm (0.15 + 0.05 \times \frac{3.5}{x})\%$ (For $x < 3.5$ MPa {508 psi})
	Square-root output:	When output is 50 to 100 %: same as linear output When output is 7.1 to 50 %: linear output $\times \frac{50}{\text{square-root} \cdot \text{output}}\%$ When output is less than 7.1 %: dropout
Ambient Temperature effect (Shift from the set range) Change of 30 °C *3 (Range from -5 to +55 °C)	Combined shift: (including zero and span shifts)	$\pm 1.20\%$ (For $x \geq 3.5$ MPa {508 psi}) $\pm (0.55 + 0.65 \times \frac{3.5}{x})\%$ (For $x < 3.5$ MPa {508 psi})
Static pressure effect (Shift with respect to Setting range) *3 Change of 7 MPa {1,015 psi}	Zero shift:	$\pm (0.03 + 0.295 \times \frac{7}{x})\%$
	Combined shift: (including zero and span shifts)	$\pm (0.45 + 0.125 \times \frac{7}{x})\%$ (For $x \geq 7$ MPa {1,015 psi}) $\pm (0.08 + 0.495 \times \frac{7}{x})\%$ (For $x < 7$ MPa {1,015 psi})

*3. Within a range of $URV \geq 0$ and $LRV \geq 0$.

*4. Reference accuracy at calibrated condition.

MODEL SELECTION**Model GTX15D (Standard type for lowest differential pressure)**

Model No.: GTX__D - Selection I (I II III IV V VI VII) - Selection II (I II III IV V VI) - Option

Basic Model No.

	Measuring span	0.1 to 2.0 kPa (0.4 to 8 inH ₂ O)	GTX15D
--	----------------	--	--------

Selection I

I	Output	4 to 20 mA (SFN Communication)	A	
		4 to 20 mA (HART5 Communication)	B	
		FOUNDATION Fieldbus communication *3*4*5	C	
		Digital output (DE communication) *1	D	
		4 to 20 mA (HART7 Communication)	F	
II	Fill fluid	Regular type (Silicone oil)	A	
		For oxygen service (Fluorine oil)	H	
III	Material (Meterbody cover, Vent/Drain plugs)	Meterbody cover	Vent/Drain plugs	
		SCS14A (Equivalent to 316 SST)	316 SST	A
IV	Material (center body)	316 SST (Diaphragm: 316L SST)		A
V	Process connections	Rc 1/2, with adapter flange	A	
		Rc 1/4, with adapter flange	B	
		Rc 1/4, without adapter flange	C	
		1/2 NPT internal thread, with adapter flange	D	
		1/4 NPT internal thread, with adapter flange	E	
		1/4 NPT internal thread, without adapter flange	F	
VI	Process installation	Vertical piping, top connection	A	
		Vertical piping, bottom connection	B	
		Horizontal piping, front connection	C	
VII	Bolt/nut	304 SST	B	
		316 SST *2	D	

*1. Not applicable for the combination with code A2 "With external Zero/Span adjustment", Q1 "Safety Transmitter" and Q2 "NAMUR NE43 Compliant Output Signal Limits" of Option.

*2. In case this code is selected, code P8 of Option code should be selected.

*3. Not applicable for the combination with code Q1 "Safety Transmitter" and Q2 "NAMUR NE43 Compliant Output signal limits" of Option.

*4. In case code A of indicator is selected, code A2 of Option code should be selected.

*5. Not applicable for the combination with code YB "Assembled in China (for use in China)" and YD "Assembled in China (for use outside of China)" of Option.

Model GTX30D (Standard type for standard differential pressure)
Model GTX40D (Standard type for high differential pressure)

Model No.: GTX__D - Selection I (I II III IV V VI VII) - Selection II (I II III IV V VI) - Option

Basic Model No.

Measuring span	0.5 to 100 kPa (2 to 400 inH ₂ O)	GTX30D
	35 to 700 kPa (5.1 to 101psi)	GTX40D

Selection I

I	Output	4 to 20 mA (SFN Communication)		A
		4 to 20 mA (HART5 Communication)		B
		FOUNDATION Fieldbus communication *3*4*5		C
		Digital output (DE communication) *1		D
		4 to 20 mA (HART7 Communication)		F
II	Fill fluid	Regular type (Silicone oil)		A
		For oxygen service (Fluorine oil)		H
III	Material (Meterbody cover, Vent/Drain plugs)	Meterbody cover	Vent/Drain plugs	
		SCS14A (Equivalent to 316 SST)	316 SST	A
IV	Material (center body)	316 SST (Diaphragm: 316L SST)		A
		ASTM B575 (Equivalent to Hastelloy C-276)		B
V	Process connections	Rc 1/2, with adapter flange		A
		Rc 1/4, with adapter flange		B
		Rc 1/4, without adapter flange		C
		1/2 NPT internal thread, with adapter flange		D
		1/4 NPT internal thread, with adapter flange		E
		1/4 NPT internal thread, without adapter flange		F
VI	Process installation	Vertical piping, top connection		A
		Vertical piping, bottom connection		B
		Horizontal piping, front connection		C
VII	Bolt/nut	304 SST		B
		316 SST *2		D

*1. Not applicable for the combination with code A2 "With external Zero/Span adjustment", Q1 "Safety Transmitter" and Q2 "NAMUR NE43 Compliant Output Signal Limits" of Option.

*2. In case this code is selected, code P8 "316 SST (Parts in contact with atmosphere)" of Option code should be selected.

*3. Not applicable for the combination with code Q1 "Safety Transmitter" and Q2 "NAMUR NE43 Compliant Output signal limits" of Option.

*4. In case code A of indicator is selected, code A2 of Option code should be selected.

*5. Not applicable for the combination with code YB "Assembled in China (for use in China)" and YD "Assembled in China (for use outside of China)" of Option.

Model GTX31D (High static pressure type for standard differential pressure)

Model GTX41D (High static pressure type for high differential pressure)

Model GTX71D (High static pressure type for highest differential pressure)

Model No.: GTX__D - Selection I (I II III IV V VI VII) - Selection II (I II III IV V VI) - Option

Basic Model No.

Measuring span	0.5 to 100 kPa (2 to 400 inH ₂ O)	GTX31D
	35 to 700 kPa (5.1 to 101psi)	GTX41D
	0.25 to 14 MPa (36.3 to 2,030 psi)	GTX71D

Selection I

I	Output	4 to 20 mA (SFN Communication)	A	
		4 to 20 mA (HART5 Communication)	B	
		FOUNDATION Fieldbus communication *14*15*16	C	
		Digital output (DE communication) *1	D	
		4 to 20 mA (HART7 Communication)	F	
II	Fill fluid	Regular type (Silicone oil)	A	
		For oxygen service (Fluorine oil)	H	
		For chlorine service (Fluorine oil) *2	J	
III	Material (Meterbody cover, Vent/Drain plugs)	Meterbody cover	Vent/Drain plugs	
		SCS14A (Equivalent to 316 SST)	316 SST	A
		PVC *3 *4	PVC *3 *4 *5 *6	C
IV	Material (center body)	316 SST (Diaphragm: 316L SST)	A	
		ASTM B575 (Equivalent to Hastelloy C-276) *7 *8 *9	B	
		Tantalum *10 *11 *12	C	
		316L SST *10 *11 *12	D	
V	Process connections	Rc 1/2, with adapter flange *5	A	
		Rc 1/4, with adapter flange	B	
		Rc 1/4, without adapter flange	C	
		1/2 NPT internal thread, with adapter flange *5	D	
		1/4 NPT internal thread, with adapter flange	E	
		1/4 NPT internal thread, without adapter flange	F	
VI	Process installation	Vertical piping, top connection *6 *11	A	
		Vertical piping, bottom connection *6 *11	B	
		Horizontal piping, front connection	C	
VII	Bolt/nut	Carbon steel	A	
		304 SST *13	B	
		630 SST	C	
		316 SST *13 *14	D	

*1. Not applicable for the combination with code A2 "With external Zero/Span adjustment", Q1 "Safety Transmitter" and Q2 "NAMUR NE43 Compliant Output Signal Limits" of Option.

*2. In case code J is selected, code C "Tantalum" of Material (centerbody) should be selected.

*3. 304 SST bolts and nuts material (-B) must be selected when PVC meterbody cover is selected. The max. working pressure is 1.5 MPa.

*4. In case GTX71D, code C cannot be selected.

*5. In case PVC is selected, code A, or D of Process connections should be selected.

*6. In case PVC is selected, code A, or B of Process installation should be selected

*7. Please select A1 of option, when a wetted parts ASTM B575 of GTX71D is selected for assembling a manifold valve.

*8. When a wetted parts ASTM B575 of GTX71D is selected, code A or B of process installation should be selected.

*9. When a wetted parts ASTM B575 of GTX 71D is selected, code D of Bolt/nut cannot be selected.

*10. In case Manifold valve is used and in case code C, D is used, please select code A1 of Option.

*11. In case code C, or D is selected, code A, or B of Process installation should be selected.

*13. When 304/316 SST bolt/nut is selected, max working pressure rating is 10 MPa (1,450 psi).

*14. Not applicable for the combination with code Q1 "Safety Transmitter" and Q2 "NAMUR NE43 Compliant Output signal limits" of Option.

*15. In case code A of indicator is selected, code A2 of Option code should be selected.

*16. Not applicable for the combination with code YB "Assembled in China (for use in China)" and YD "Assembled in China (for use outside of China)" of Option.

Model GTX32D (High static pressure type for standard differential pressure)**Model GTX42D (High static pressure type for high differential pressure)****Model GTX72D (High static pressure type for highest differential pressure)**

Model No.: GTX__D - Selection I (I II III IV V VI VII) - Selection II (I II III IV V VI) - Option

Basic Model No.

Measuring span	0.5 to 100 kPa (2 to 400 inH ₂ O)	GTX32D
	35 to 700 kPa (5.1 to 101 psi)	GTX42D
	0.25 to 14 MPa (36.3 to 2,030 psi)	GTX72D

Selection I

I	Output	4 to 20 mA (SFN Communication)	A
		4 to 20 mA (HART5 Communication)	B
		FOUNDATION Fieldbus communication *4*5*6	C
		Digital output (DE communication) *1	D
		4 to 20 mA (HART7 Communication)	F
II	Fill fluid	Regular type (Silicone oil)	A
		For oxygen service (Fluorine oil)	H
III	Material (Meterbody cover, Vent/Drain plugs)	Meterbody cover	Vent/Drain plugs
		SCS14A (Equivalent to 316 SST)	316 SST
IV	Material (center body)	316 SST (Diaphragm: 316L SST) A	
V	Process connections	Rc 1/2, with adapter flange, for high pressure model	P
		Rc 1/4, with adapter flange, for high pressure model	R
		Rc 1/4, without adapter flange, for high pressure model	S
		1/2 NPT internal thread, with adapter flange, for high pressure model	T
		1/4 NPT internal thread, with adapter flange, for high pressure model	W
		1/4 NPT internal thread, without adapter flange, for high pressure model	Y
VI	Process installation	Vertical piping, top connection	A
		Vertical piping, bottom connection	B
		Horizontal piping, front connection	C
VII	Bolt/nut	Carbon steel	A
		304 SST *2	B
		630 SST	C
		316 SST *2 *3	D

*1. Not applicable for the combination with code A2 "With external Zero/Span adjustment", Q1 "Safety Transmitter" and Q2 "NAMUR NE43 Compliant Output Signal Limits" of Option.

*2. When 304/316 SST bolt/nut is selected, max working pressure rating is 20MPa{2,900 psi} for Process connection code P,R,T and W. For Process connection code S and Y, the maximum working pressure is 23MPa{3,336 psi}.

*3. In case this code is selected, code P8 of Option code should be selected.

*4. Not applicable for the combination with code Q1 "Safety Transmitter" and Q2 "NAMUR NE43 Compliant Output signal limits" of Option.

*5. In case code A of indicator is selected, code A2 of Option code should be selected.

*6. Not applicable for the combination with code YB "Assembled in China (for use in China)" and YD "Assembled in China (for use outside of China)" of Option.

Model No.: GTX_ _D - Selection I (I II III IV V VI VII) - Selection II (I II III IV V VI) - Option

Selection II

		—	
I	Electrical connection	G1/2 *2 *13	1
		G1/2 TIIS explosion proof with 1 cable gland attached *3 *13	3
		G1/2 TIIS explosion proof with 2 cable gland attached *3 *13	4
		1/2 NPT, Watertight	A
		M20, Watertight *1	B
II	Explosion proof [★] *14 *15	None	XX
		FM Explosionproof for Division system/Flameproof for Zone system	F1
		FM Intrinsic safety	F2
		FM Intrinsic safety ia/ic FISCO and Fieldbus *8	F4
		FM Nonincendive	F5
		Combination of code F1, F2, and F5	F6
		FM Fieldbus Nonincendive *8	F7
		ATEX Flameproof	A1
		ATEX Intrinsic safety	A2
		ATEX Intrinsic safety ia FISCO and Fieldbus *8	A4
		ATEX Intrinsic safety ic FISCO and Fieldbus *8	A7
		IECEx Flameproof	E1
		IECEx Intrinsic safety	E2
		IECEx Intrinsic safety ia FISCO and Fieldbus *8	E4
		IECEx Intrinsic safety ic FISCO and Fieldbus *8	E7
		NEPSI Flameproof	N1
		NEPSI Intrinsic safety	N2
TIIS Flameproof *5 *6	J1		
KCs Flameproof *6	K1		
TAIWAN Flameproof	T1		
III	Indicator	None	X
		With indicator *7	A
IV	Paint *12	Standard	X
		None (316 stainless steel housing) *4	E
		Corrosion-proof (Urethane)	H
V	Failure alarm	Upper limit of output at abnormal condition	A
		Lower limit of output at abnormal condition	B
		None (for FOUNDATION Fieldbus) *8	X
VI	Mounting bracket	None	X
		CF8 (L form) *9	1
		CF8M (L form) *9 *11	2
		304 SST (Flat form) *10	6

- *1. Not applicable for the combination with code F1, F6 of Explosion proof.
- *2. Code XX of Explosion proof should be selected.
- *3. Code J1 of Explosion proof should be selected.
- *4. Not applicable for combination with code 1,3,4 of Electrical connection.
- *5. 3 or 4 of Electrical connection should be selected.
- *6. Not applicable for the combination with code E of Paint.
- *7. In case the code C “FOUNDATION Fieldbus communication” of output is selected, code A2 of Option code should be selected.
- *8. In case this code is selected, code C of Output should be selected.
- *9. Applicable for wetted parts of material (center body); 316 SST and ASTM B575 (GTX30D, 40D, 31D, 41D).
- *10. Applicable for wetted parts of material (center body); Tantalum, 316L SST and ASTM B575 (GTX71D).
- *11. In case this code is selected, code P8 of Option code should be selected.
- *12. In case code X or H is selected, the material of transmitter case is aluminum alloy.
- *13. Not applicable for the combination with code YB “Assembled in China (for use in China)” and YD “Assembled in China (for use outside of China)” of Option.
- *14. For FOUNDATION Fieldbus type. Refer to SS2-GTX00Z-0100.
- *15. For option code YB “Assembled in China (for use in China)” and YD “Assembled in China (for use outside of China)” selected, only the following codes can be selected.
 YB: XX, N1, N2
 YD: XX, F1, F2, F5, F6, A1, A2, E1, E2, T1, K1

Model No.: GTX_ _D - Selection I (I II III IV V VI VII) - Selection II (I II III IV V VI) - Option

Option

	No options	XX
	Adapter flange for corrosion-resistant application (316L SST or Tantalum for the wetted parts of centerbody)	A1
	With external Zero/Span adjustment *8 *9	A2
	One elbow (left) *3 *4 *7	G1
	One elbow (right) *3 *4 *7	G2
	2 elbows *3 *5 *7	G3
	Long vent/drain plugs	G4
	Side vent/drain top *3 *16	G6
	Side vent/drain bottom *3 *16	G7
	Oil and water free finish	K1
	Oil free finish *1	K3
	Au Plating Diaphragm	L1
	316 SST (Parts in contact with atmosphere) *11 *12 *13	P8
	Safety Transmitter *2 *9 *14	Q1
	NAMUR NE43 Compliant Output Signal Limits: 3.8 to 20.5 mA (Output 21.6 mA/selected upper limit, 3.6 mA/selected lower limit) *9 *14	Q2
	Alarm Output (contact output) *10 *14	Q7
	Advanced diagnostics *15	Q8
	Custom calibration	R1
	Test report	T1
	Mill certificate	T2
	Traceability certificate *18	T4
	NACE certificate *6	T5
	Non SI Unit	W1
	Safety label for Taiwan	Y2
	Assembled in China (for use in China)	YB
	Assembled in China(for use outside of China)	YD

*1. No need to select when Fill Fluid code H, or J is selected.

*2. Not applicable for the combination with code A2, or Q7 of Option.

*3. Not applicable for the combination with code A, or B of Process installation.

*4. Not applicable for the combination with code F1, F6 of Explosion proof.

*5. Not applicable for any Explosion proof. Please select code XX "None" of Explosion proof.

*6. Applicable for "ASTM B575", code B of Material (center body).

*7. Not applicable for the combination with code B "M20, Watertight" electrical connection.

*8. Not applicable for the combination with code X "None" of Indicator. Please select "With indicator".

*9. Not applicable for the combination with code D "Digital output (DE communication)".

*10. Not applicable for the combination with code F2, F5, F6, N2, C2, E2, and A2 of Explosion proof.

*11. In case code P8 is selected, code D of Bolt/nut should be selected.

*12. In case code P8 is selected, code E of Paint should be selected.

*13. In case code P8 is selected, code X or 2 of Mounting bracket should be selected.

*14. Not applicable for the combination with code C "Digital output (FOUNDATION Fieldbus communication)" of output.

*15. Not applicable for the combination with code A "4 to 20 mA (SFN Communication)", B "4 to 20 mA (HART5 Communication)", and D "Digital output (DE communication)" of output.

*16. Not applicable for the combination with model GTX32D/42D/72D.

*18. Not applicable for the combination with code YB "Assembled in China (for use in China)" and YD "Assembled in China(for use outside of China)" of Option.

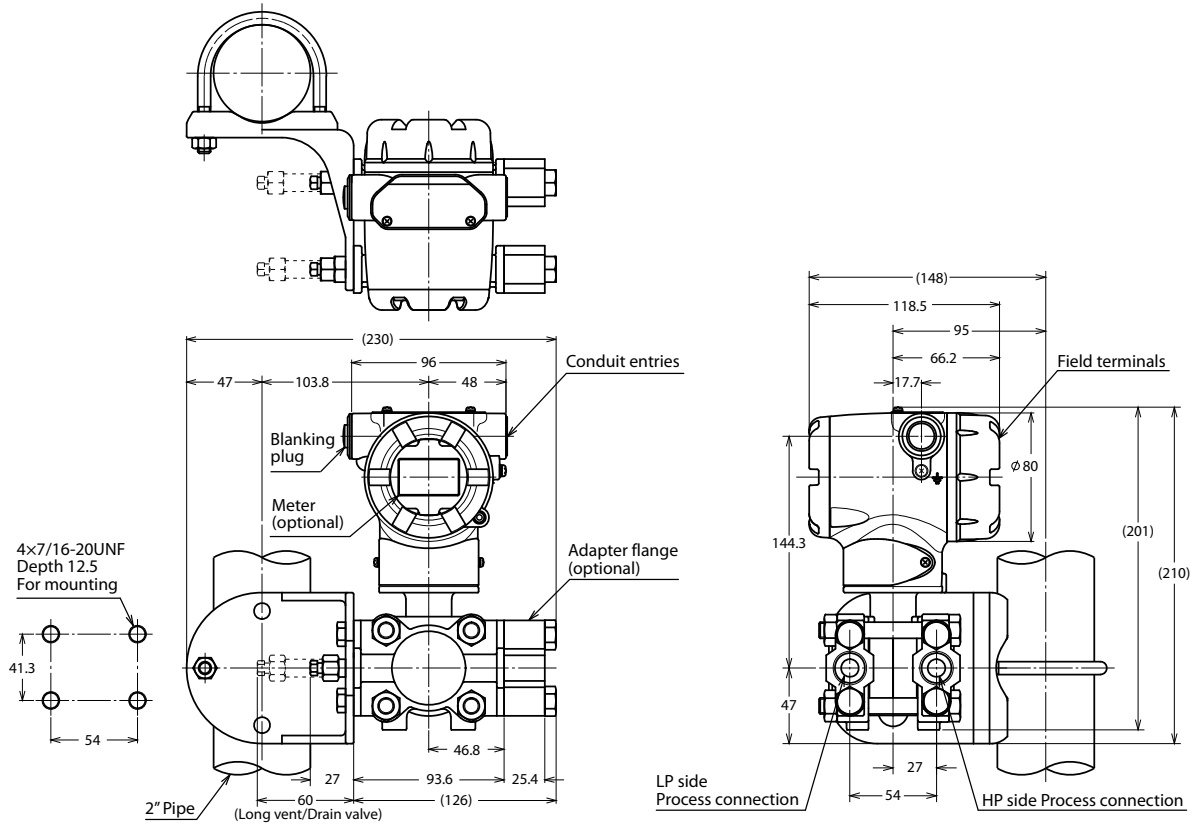
DIMENSIONS

Model GTX 31D/41D (Material (center body): 316 SST, ASTM B575)

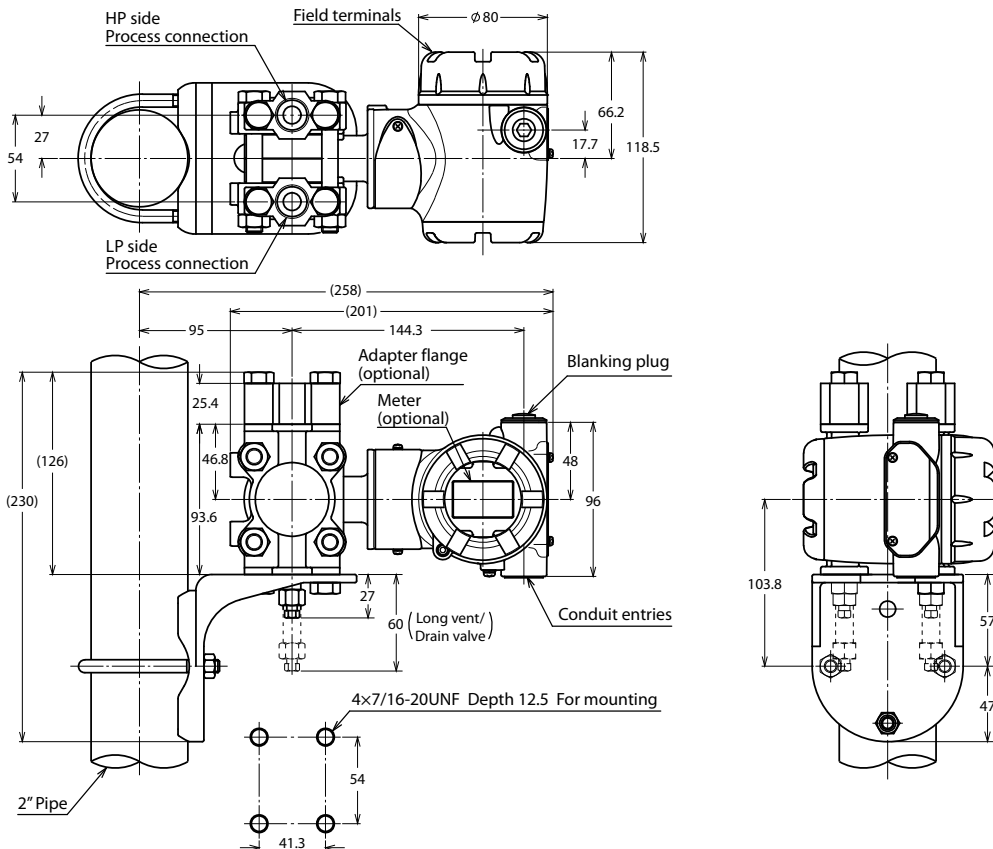
Model GTX 71D (Material (center body): 316 SST)

Process connection: Front side

Unit: mm



Process Connection: Top or bottom side

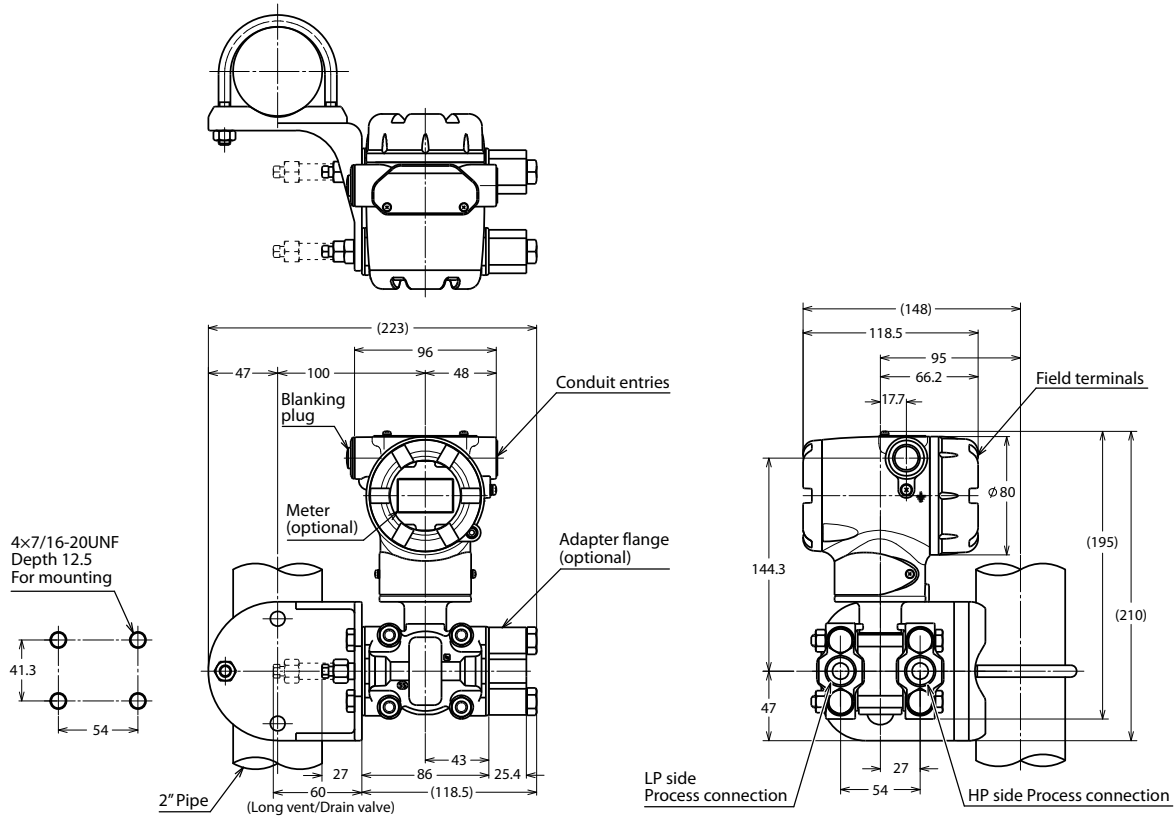


Model GTX 15D (Material (center body): 316 SST)

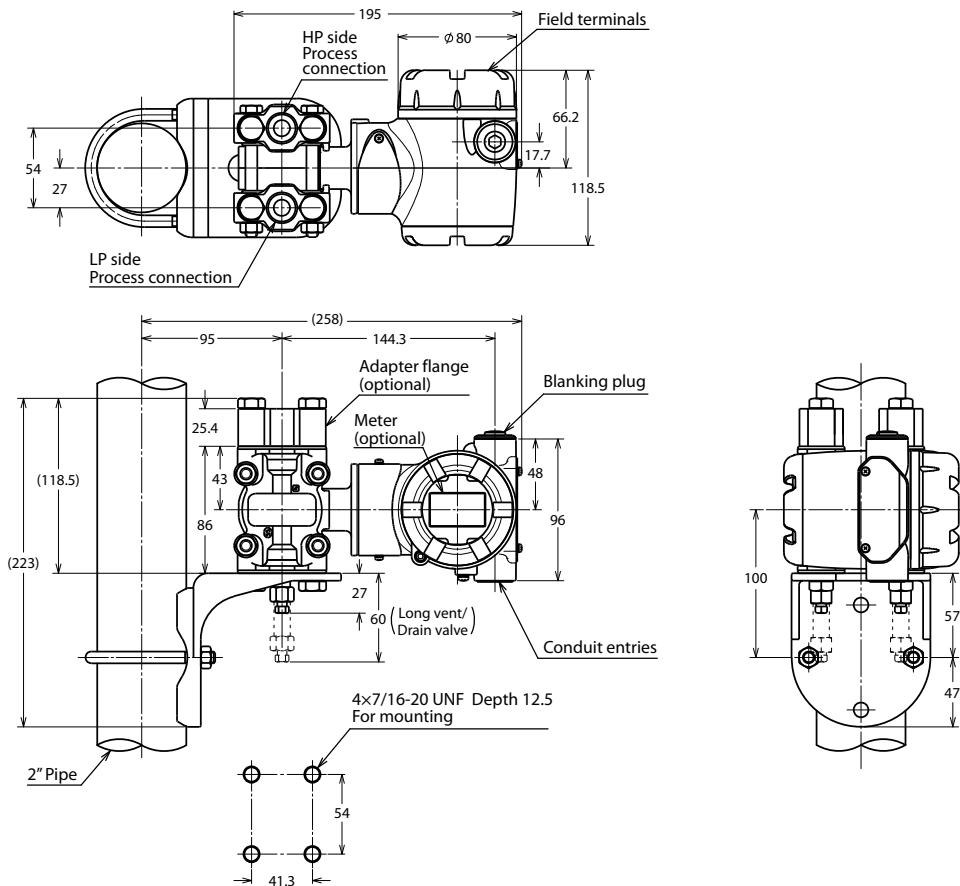
Model GTX 30D/40D (Material (center body): 316 SST, ASTM B575)

Process connection: Front side

Unit: mm



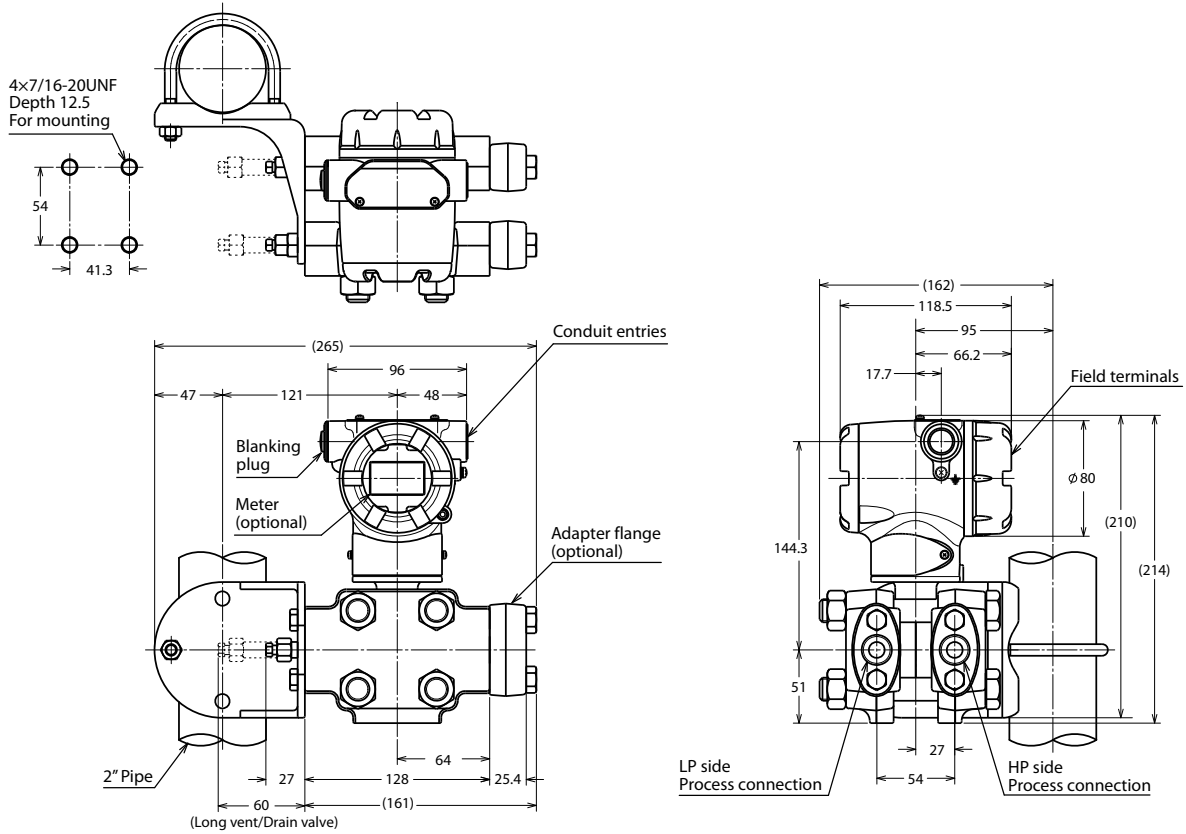
Process Connection: Top or bottom side



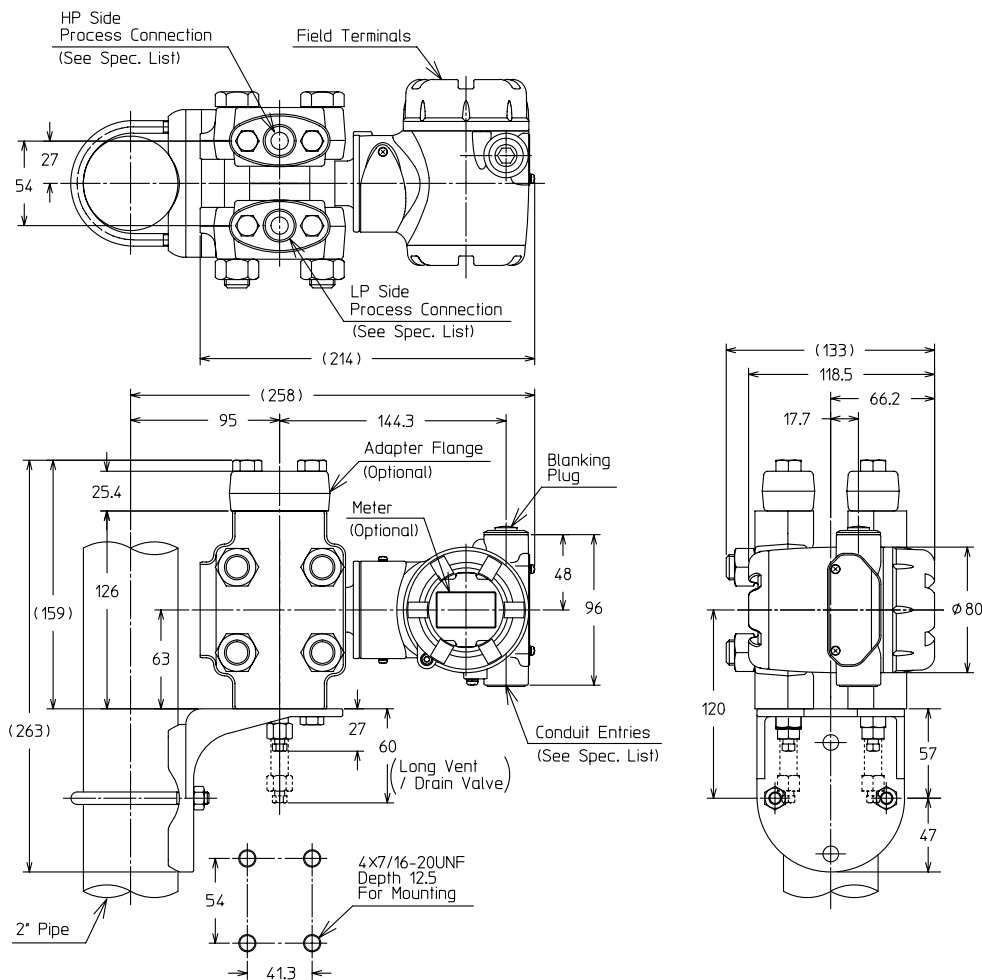
Model GTX 32D/42D/72D

Process connection: Front side

Unit: mm



Process Connection: Top or bottom side

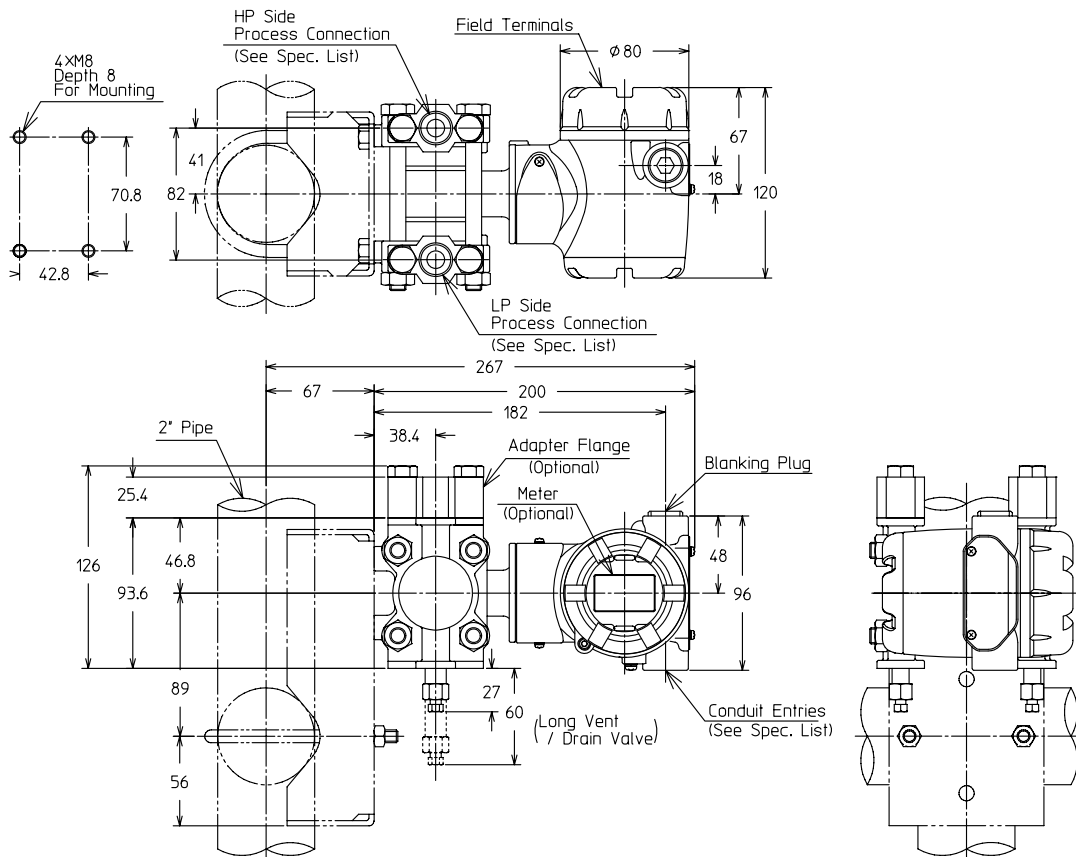


Model GTX 31D/41D (Material (center body): Tantalum, 316L SST)

Model GTX 71D (Material (center body): Tantalum, 316L SST, ASTM B575)

Process connection: TOP or Bottom side

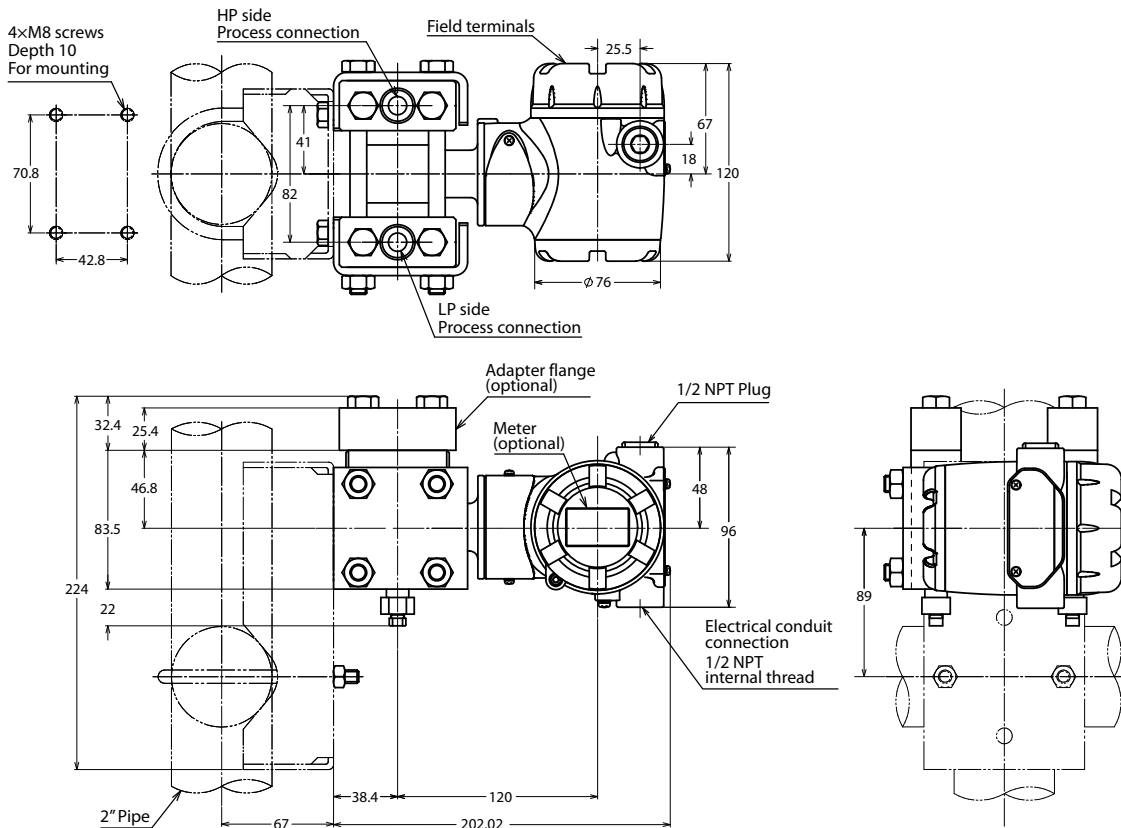
Unit: mm



GTX 31D/41D (Material (Meter body cover, Vent/Drain plugs): PVC)

Process Connection: Top or bottom side

Unit: mm



TERMINAL CONNECTION

(Not applicable for Fieldbus. See SS2-GTX00Z-0100 for Fieldbus.)

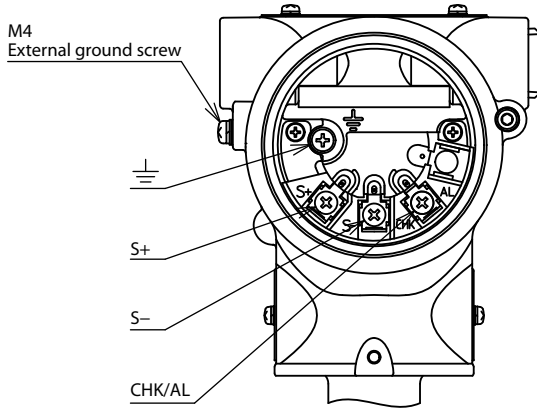


Table 1: Terminal connection

Symbol	Details
S+	Power supply and output signal +
S-	Power supply and output signal -/Check meter -
CHK/AL	Check meter +
⏏	Ground

Table 2: Terminal connection (option “Q7”: Alarm output)

Symbol	Details
S+	Power supply and output signal +
S-	Power supply and output signal -
CHK/AL	Alarm +
⏏	Ground/Alarm -

HART® is a registered trademark of the FieldComm Group.
FOUNDATION™ is a trademark of the FieldComm Group.

Please read “Terms and Conditions” from the following URL before ordering and use.
<https://www.azbil.com/products/factory/order.html>

Specifications are subject to change without notice.

Azbil Corporation
Advanced Automation Company

1-12-2 Kawana, Fujisawa
Kanagawa 251-8522 Japan
URL: <https://www.azbil.com/>

1st edition: May 2008
26th edition: Sep. 2020